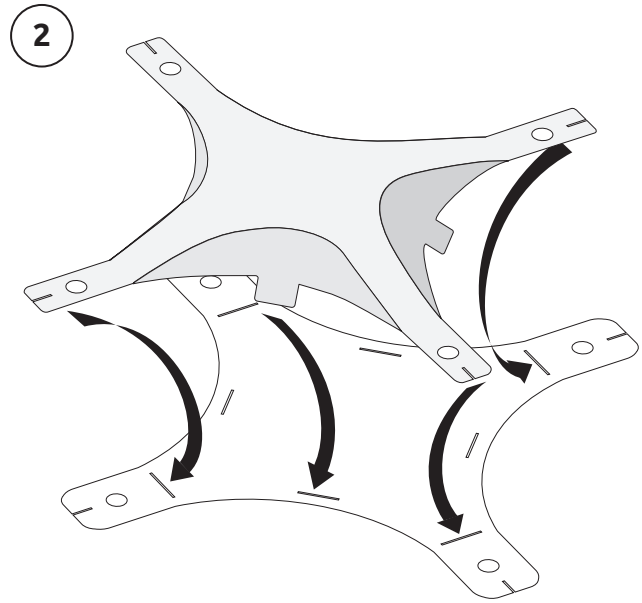
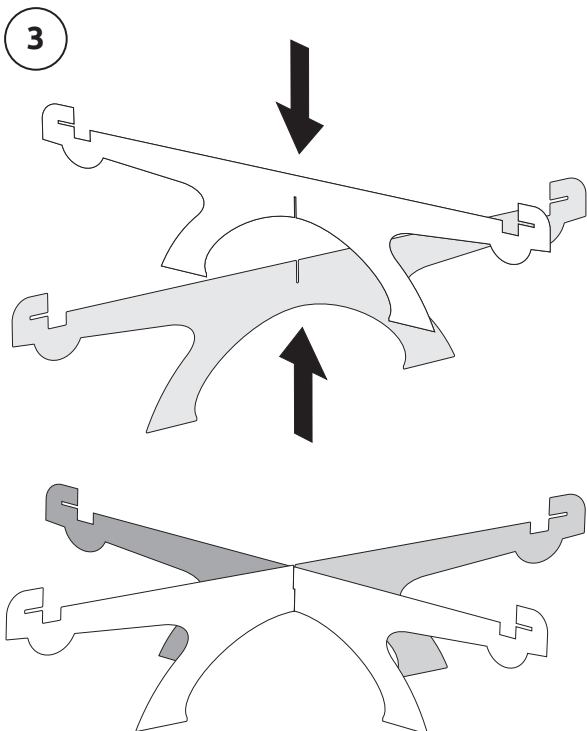


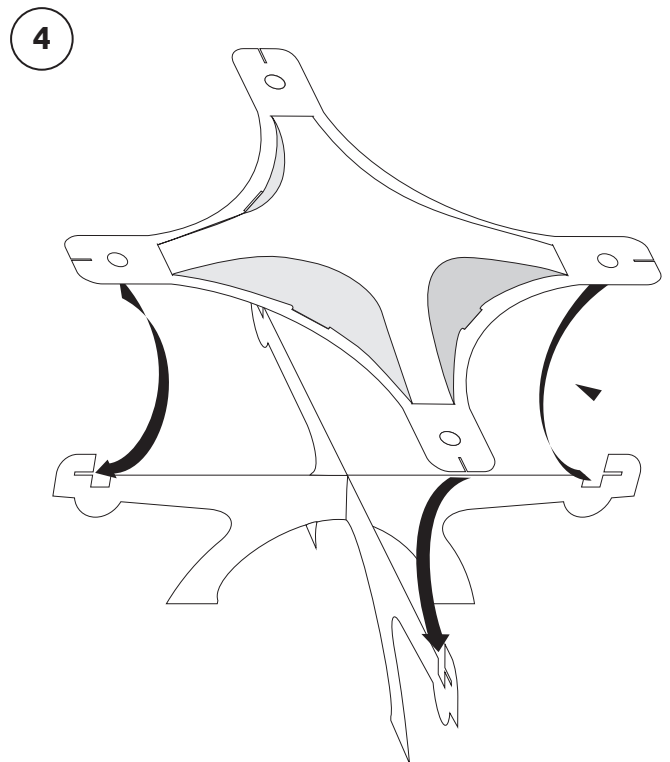
1
Bend Fig 1 along the fold line downwards. The central part of fig should bend.



2
Insert fig 1 into the slots of figs 2 as shown in the diagram



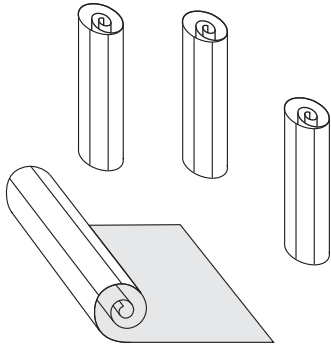
3
Connect 3 and 4 figs together



4
Insert the assembled figs 1 and 2 into the slots of the assembled figs 3 and 4, as shown in the diagram

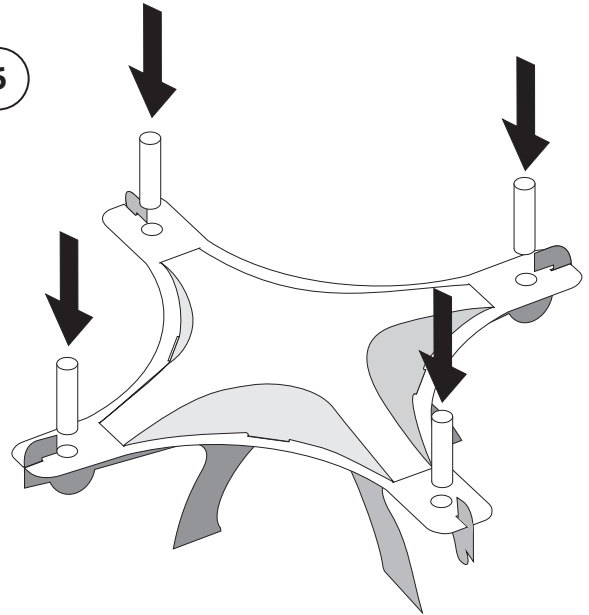


5



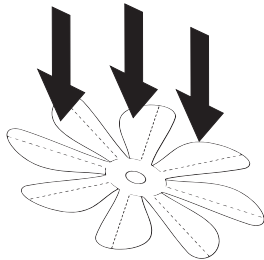
Twist the figs 5 (a, b, c and d) into a tube along the fold lines.

6



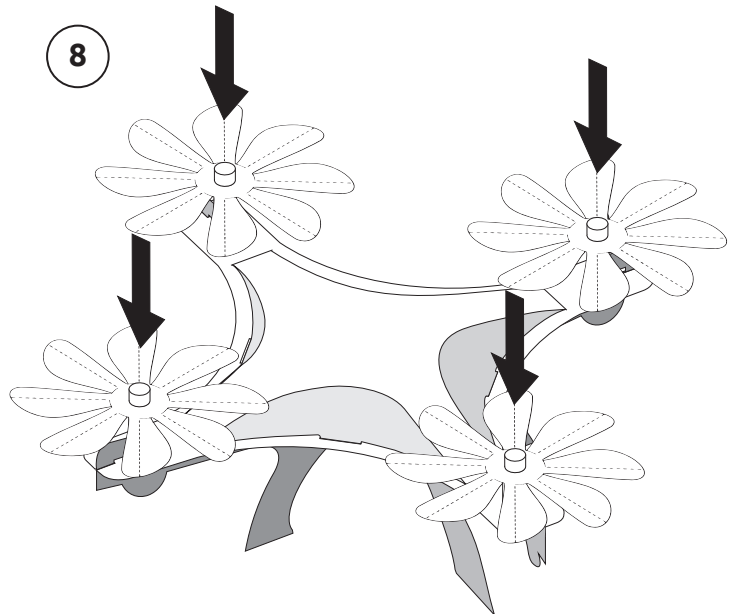
Install the assembled figs 5 (a, b, c and d) into the slots of figs 1-2.

7



Bend the propeller blades (figs 5 a, b, c and d) along the bend line

8



Install the propellers (figs 6) on the tubes (figs 5)